

Avda. de la Industria, 15  
Pol. Ind. Acceso Ademuz Peixador  
46980 Paterna (Valencia) - Spain  
Telf. +34 961 322 364 Email: [comercial@mevcomponents.com](mailto:comercial@mevcomponents.com)  
[www.mevcomponents.com](http://www.mevcomponents.com)



*HINGED SEMI-AUTOMATIC LANDING DOORS*

# HINGED SEMI-AUTOMATIC LANDING DOORS

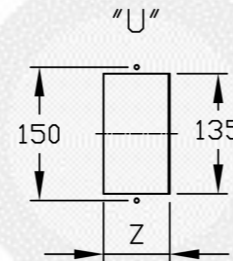
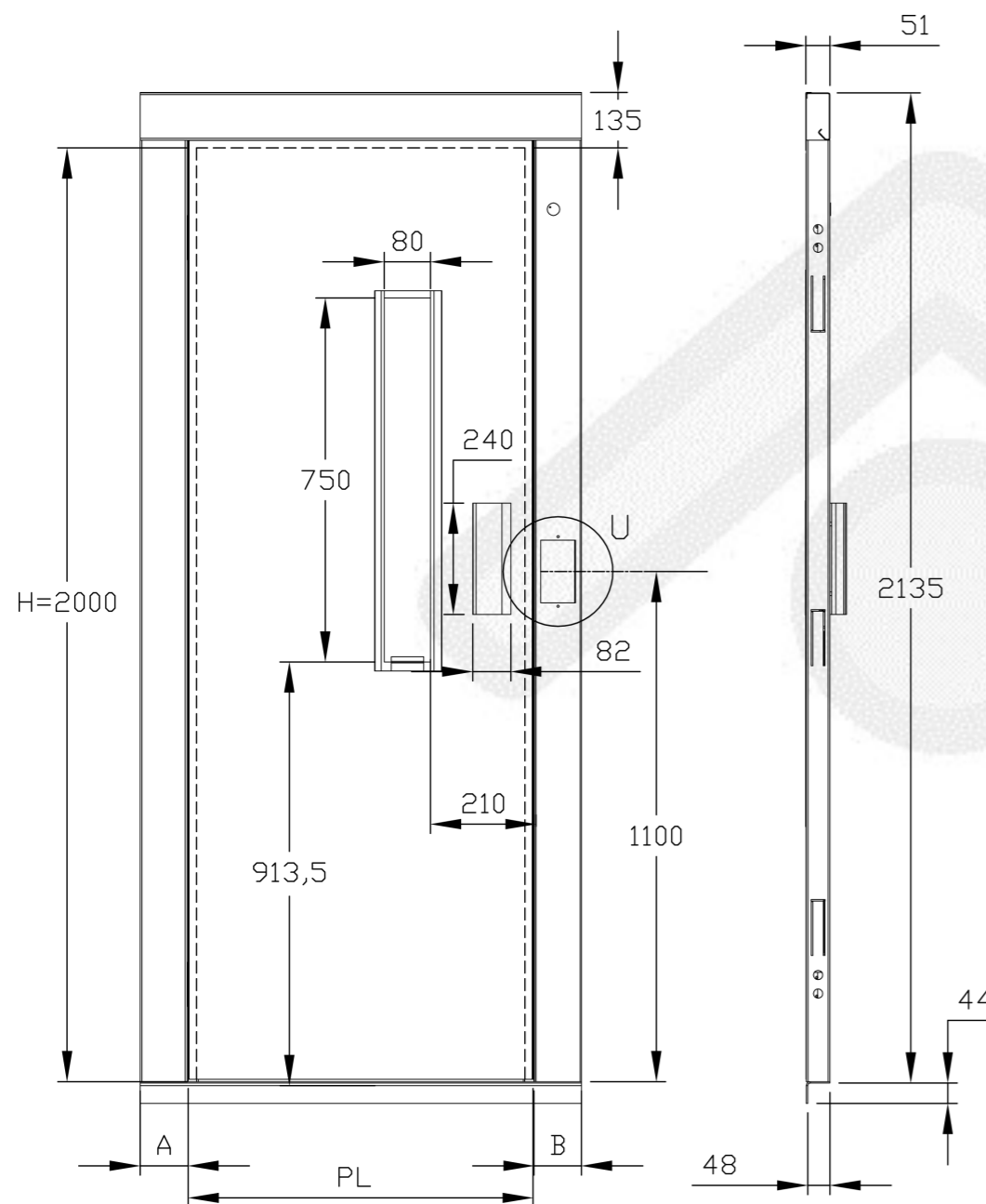
## HINGED SEMI-AUTOMATIC LANDING DOOR WITH VISION PANEL

### General Features

- Hidden hinges and leaf flushed with frame.
- Welded frame and made of 1.5 mm plate.
- Sheet in 1.0 mm plate with internal reinforcements (minimum 3).
- Opening 110°.
- Laminated Glass 3+3 in "Big Vision" model.
- Finished in Epoxy RAL7032.
- Security lock GERVALL type 96DI.
- Handle, peephole and pushing plate in embossed aluminum.
- Immediate Delivery on Standard Models.

\* Possibility of option without vision panel.

\* Possibility of option without "hollow for pushbutton panel".



SEMI-AUTOMATIC LANDING DOORS			
Standard Models			
PL	A	B	Z
500	125	125	75
550	125	125	75
600	125	125	75
650	125	125	75
700	125	125	75
800	125	125	75
900	125	125	75
1000	125	125	75

Narrow Frames			
All PL	A	B	Z
	100	100	50
	100	85	35
	85	100	50
	85	85	35

## HINGED SEMI-AUTOMATIC LANDING DOOR "BIG VISION" MODEL

